

Stop valve with bellows seal of forged steel

Kvs-value = 1,7

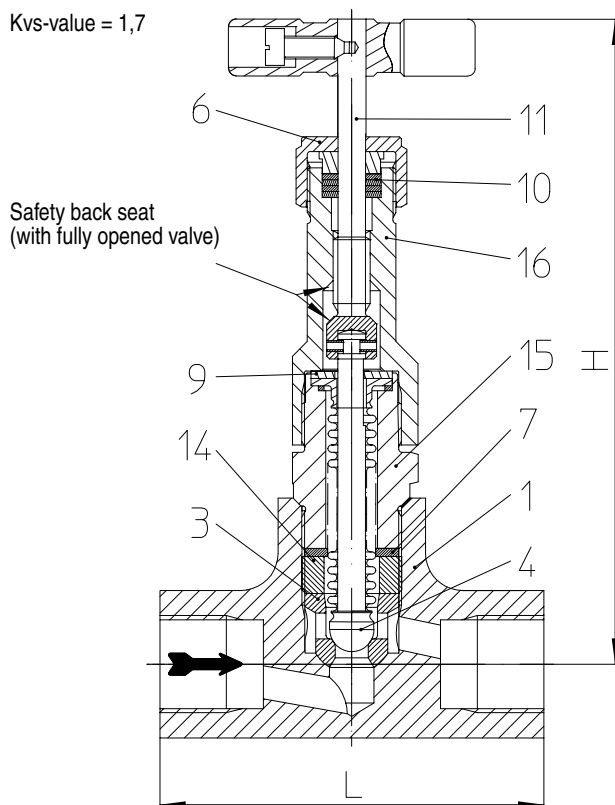


Fig. 6A2....2 mit Gewindemuffe

- Maintenance-free stop valve to shut off water, steam, thermal oil, etc.
- Safety back seat with fully opened valve
- Safety washer
- Approval acc. to TA-Luft (TÜV-Prüf-Nr. 3837PR18120)
- Non-rotation lock of the bellows seal through safety washer (pos. 9)
- Valve top part of stainless steel
- Economic on-site handling and long life (through forged steel and metal sealing...)
- Optional: throttling plug

Fig. 45.6A2 PN40 - 1.0460	Operating limits	
Operating pressure PS (barü)	32	14,5
Operating temperature TS (°C)	250	450

Types of connection	
Screwed sockets2	R- and NPT-thread
Socket weld ends3	
Butt weld ends4	
Other types of connection on request.	

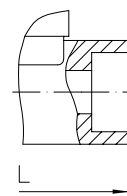


Fig. 6A2....3 with socket weld ends

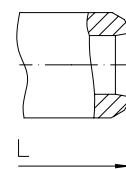


Fig. 6A2....4 with butt weld ends

Parts

Pos.	Description	Material, Material-No.	
		DIN	comparable with ASTM / AISI
1	Body	P250GH, 1.0460	SA 105
3	Seat *	X8CrNiS18-9, 1.4305	AISI 303
4	Valve ball	X39CrMo17-1+QT, 1.4122+QT	AISI 420 RM
6	Sleeve nut	X14CrMoS17+QT, 1.4104+QT	AISI 430 F
7	Graphit ring	Graphit	
8	Assembly stop valve, cpl. *	X6CrNiMoTi17-12-2, 1.4571	SA 240
8.1	Bellows seal	Stainless steel	
9	Safety washer	X5CrNi18-10, 1.4301	SA 240
10	Packung ring (1 set) *	Pure graphit	
11	Stem	X2CrNiMo17-12-2, 1.4404	SA 351 CF-3M
14	Banjo bolt	X8CrNiS18-9, 1.4305	AISI 303
15	Fitting	X8CrNiS18-9, 1.4305	AISI 303
16	Spindle guiding	X8CrNiS18-9, 1.4305	AISI 303
	Other interior parts	Stainless steel	

* Spare parts

Dimensions and weights		Types of connection				
		Screwed sockets Schweißmuffen		Butt weld ends		
Nominal diameters	mm inch	15 1/2	20 3/4	15 1/2	20 3/4	25 1
Dimensions (mm)	L*	104	104	104	104	104
	H	175	175	175	175	175
Weight approximate (kg)		1,6	1,4	1,6	1,4	1,3

* other face-to-face dimensions on request