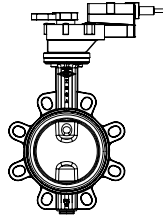


**ARI-ZESA<sup>®</sup>EA Wafer type butterfly valve BR 012**

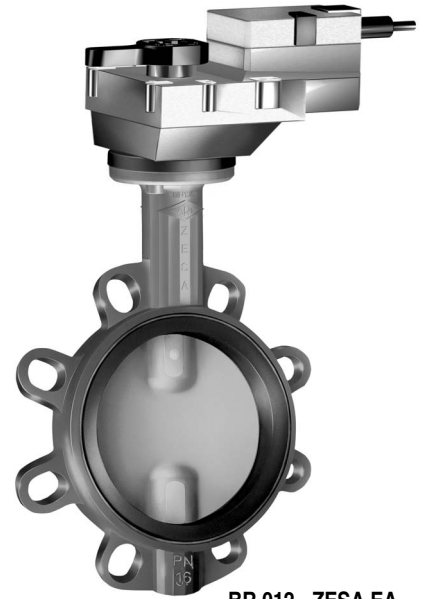
**ARI-ZESA<sup>®</sup>EA**

**Electric rotary actuator EA**

- open/close or 3-point (EA1/EA2)  
230V 50/60Hz or 24V AC/DC
- modulating 0(2)-10V (EA1Y/EA2Y)  
24V AC/DC
- enclosure IP 54



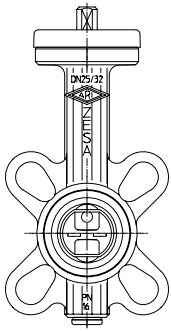
Page 2



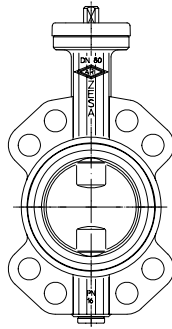
**BR 012 - ZESA EA**

**Features:**

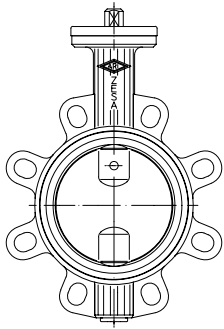
- Soft sealing
- Maintenance-free
- Good flow characteristic due to excellent Zeta-values
- Seat materials EPDM
- Double sealing of the flap shaft
- Stainless steel disc (up to DN80)
- Complete insulation possible according to the german „Energy saving order - EnEV“
- Dew point barrier
- Central disc bearing
- Nodular iron body
- EPDM with DIN DVGW Reg. water (DW6201AQ2024)
- **Wafer type**
- **Lug type on request**



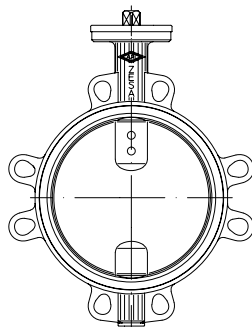
DN 25 - 65



DN 80 - 100



DN 125 - 150



DN 200

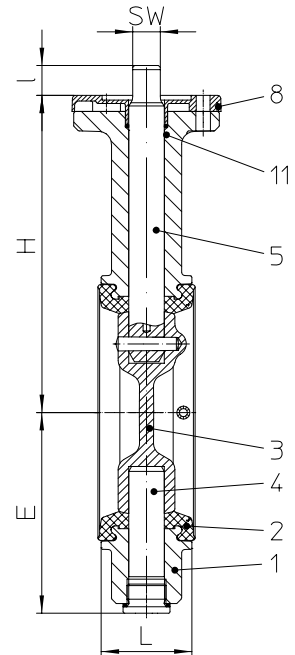
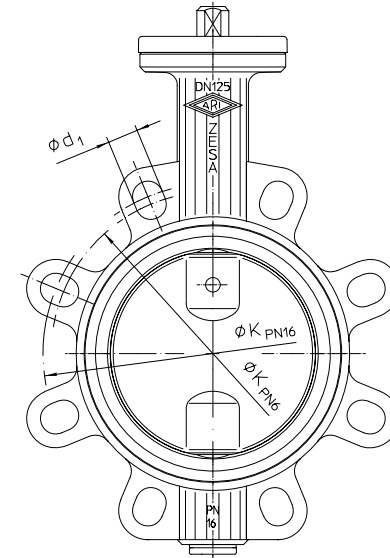


Figure	Nom. press.	Disc / Stem	Seat
20.012	PN 6	DN ≤ 80: 1.4581 / 1.4021 DN > 80: EN-JS1030 / 1.4021	EPDM
21.012	PN10		
22.012	PN16		

**DVGW-Registration**  
 EPDM DN25/32-DN80 for Water DW-6201BR0244, acc. to DIN EN 1074-1/-2  
 incl. disinfection inspection, DVGW VP646  
 and DVGW W270 for drinking water

**Pressure range:** 6 bar / 10 bar / 16 bar  
**Max. differential pressure:** 6 bar (DN25-125)  
 3 bar (DN150-200)  
**Sealing leakage test:** DIN EN 12266 Leakage rate A  
 (DIN 3230 T3 Leakage rate 1)  
**Temperature range:** EPDM - 10 °C bis + 100 °C  
**Body material:** EN-JS1030, EN-GJS-400-15

**Selection of possible applications**

- Water installations in the building technology
- weitere Einsatzgebiete auf Anfrage -

**Order text:**

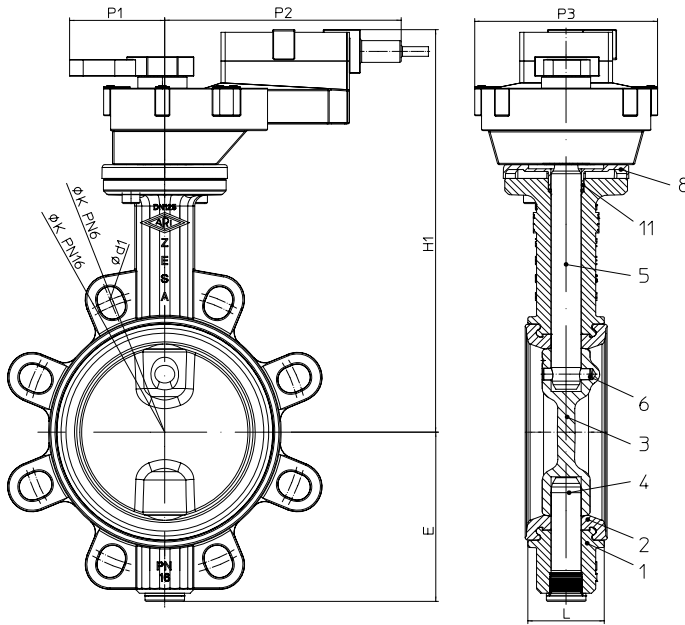
**ARI-ZESA®** - Wafer type butterfly valve, maintenance free,  
 soft seal seat in ....., disc of material-no. ...., PN 6/16,  
 DN ....., type of actuator .....

**Pressure - temperature - ratings**

Material	PN	Temperature
		- 10°C up to 100°C
EN-JS1030	16	16 bar

Operating range depends on existing service conditions and technical regulations.

# ARI-ZESA® - Butterfly valve with soft seal, maintenance free with electric rotary actuator Type: EA



## EA Electric rotary actuator

- Open/close or 3-point (EA1/EA2)  
230V 50/60Hz or 24V AC/DC
- Modulating 0(2)-10V (EA1Y/EA2Y)  
24V AC/DC
- Enclosure IP 54
- Manual operating device
- **Accessories:**
  - Box with 2 limit switches for signalisation

DN	25	32	40	50	65	80	100	125	150	200
H1	212	212	218	224	234	242	263	293	309	343
P1 / P2 / P3	70 (with lever extension:176) / 150 / 95							69 / 161 / 134		
Type of actuator $\Delta P = 6$ bar	EA1							EA2	--	
Type of actuator $\Delta P = 3$ bar	--							--	EA2	
Operating time (sec.)	90							150		
Weight ZESA (kg)	2,4	2,4	2,6	3,0	3,6	4,2	5,0	8,3	10,3	14,3

For connection refer to terminal connection in the operating instructions of the actuator !

<p><b>Standard: EA1/EA2 - 230V 50/60Hz</b></p> <div style="display: flex; justify-content: space-around;"> <div style="text-align: center;"> <p>(open/close)</p> </div> <div style="text-align: center;"> <p>(3-point)</p> </div> </div>	<p><b>Standard: EA1Y/EA2Y - 24V AC/DC (modulating)</b></p>
<p><b>Standard: EA1/EA2 - 24V AC/DC</b></p> <div style="display: flex; justify-content: space-around;"> <div style="text-align: center;"> <p>(open/close)</p> </div> <div style="text-align: center;"> <p>(3-point)</p> </div> </div>	

## Dimensions, Kvs- and Zeta-Values

DN	Dimensions				ZESA Wafer type butterfly valve				Zeta-values	Kvs-values
	L	H	E	SW	PN 6 ØK	PN 10 ØK	PN 16 ØK	PN 6/16 n x Ød1		
25*	33	128	58	11	75	85	85	4 x Ø11/18	0,78	27,8
32*	33	128	58	11	90	100	100	4 x Ø11/18	2,0	28,5
40	33	134	66	11	100	110	110	4 x Ø14/18	1,2	58
50	43	140	69	11	110	125	125	4 x Ø14/18	0,85	107
65	46	150	81	11	130	145	145	4 x Ø14/18	0,69	201
80	46	158	100	11	150	160	160	4 x Ø18	0,57	336
100	52	179	109	11	170	180	180	4 x Ø18	0,47	576
125	56	196	124	17	200	210	210	8 x Ø18	0,54	840
150	56	212	140	17	225	240	240	8 x Ø18/22	0,47	1295
200	60	246	167	17	280	295	295	8 x Ø18/22	0,41	2470

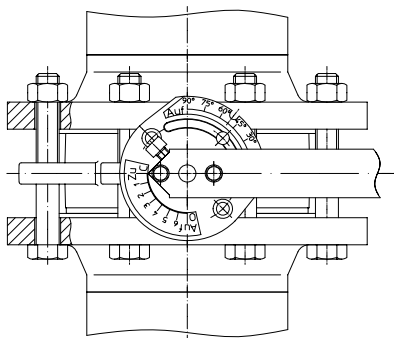
\* ZESA - DN 25/32 suitable for flanges PN16 / DN 20

Face-to-face dimension FTF series 20 acc. to DIN EN 558-1 (DIN 3202 T3 series K1)

Figure		ZESA EA 20. / 21. / 22.012
Pos.	Description	Material, Material-No.
1	Body	EN-JS1030, EN-GJS-400-15
2	Seat	EPDM
3	Disc	DN ≤ 80: G-X5 CrNiMoNb 18-10, 1.4581 DN > 80: EN-JS1030, EN-GJS-400-15 with Delta Magni-coating
4	Pivot	X20Cr13+QT, 1.4021+QT
5	Stem	X20Cr13+QT, 1.4021+QT
8	Cap	PA6
11	O-Ring	EPDM

Information / Restrictions of technical rules to be observed!

### Installation



Welding neck flanges  
PN 6/10/16  
DIN EN 1092-1/11/B1  
Hexagon screw  
DIN EN ISO 4016 Mat.-No. 4.6  
Hexagon nut  
DIN EN ISO 4034 Mat.-No. 5

Bild 1: ZESA-Wafer-type-valve

### Dimension of hexagon screws for ZESA®

DN	PN 6 DIN 2631	PN 10 DIN 2632	PN 16 DIN 2633
25	4 x M10 x 80	4 x M12 x 90	4 x M12 x 90
32	4 x M12 x 80	4 x M16 x 90	4 x M16 x 90
40	4 x M12 x 80	4 x M16 x 90	4 x M16 x 90
50	4 x M12 x 90	4 x M16 x 90	4 x M16 x 100
65	4 x M12 x 90	4 x M16 x 110	4 x M16 x 110
80	4 x M16 x 100	8 x M16 x 110	8 x M16 x 110
100	4 x M16 x 110	8 x M16 x 120	8 x M16 x 120
125	8 x M16 x 120	8 x M16 x 130	8 x M16 x 130
150	8 x M16 x 120	8 x M20 x 130	8 x M20 x 130
200	8 x M16 x 130	8 x M20 x 140	12 x M20 x 140

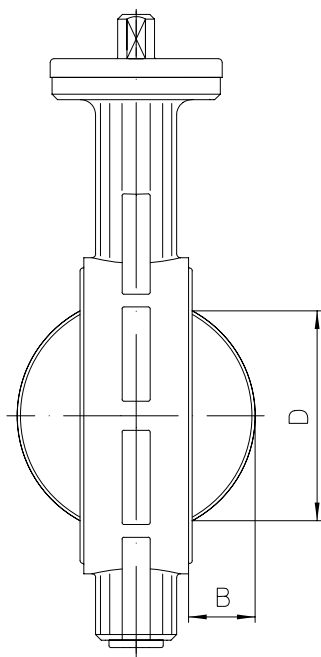
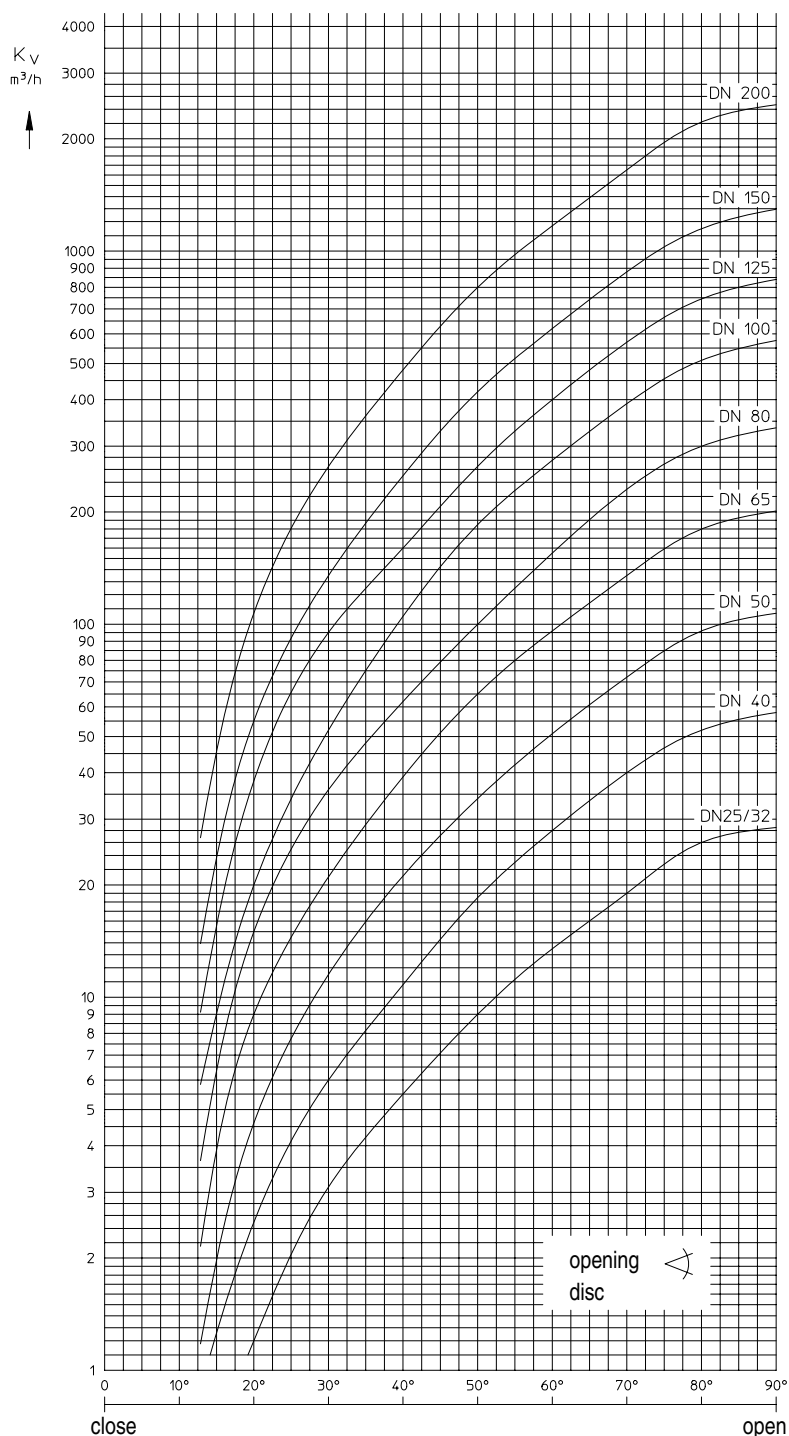
### Please indicate when ordering:

1. Figure-No.
2. Nominal pressure
3. Nominal diameter
4. Actuation arrangement
5. Special design / accessories

Dimensions in mm  
Weights in kg  
1 bar ≙ 10<sup>5</sup> Pa ≙ 0,1 MPa  
Kvs in m<sup>3</sup>/h  
1Kvs ≙ 1,16 Cv (US)

## Flow diagram

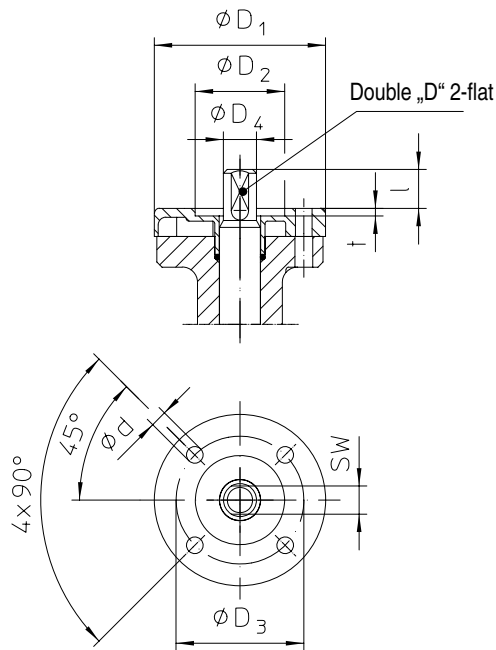
DN	Zeta-value	Kvs-value
25	0,78	27,8
32	2,0	28,5
40	1,2	58
50	0,85	107
65	0,69	201
80	0,57	336
100	0,47	576
125	0,54	840
150	0,47	1295
200	0,41	2470



## Difference between disc outside-diameter and face-to-face

DN	25 - 32	40	50	65	80	100	125	150	200
B	--	5	5	11	18	25	36	48	71
D	--	26	29	49	68	88	115	142	194

Actuator flange connection



DN	Connection ISO 5211	Double „D“ 2-flat SW	$\phi D_4$	l	t	$\phi D_1$	$\phi D_2$	$\phi D_3$	$\phi d$
25 - 100	F 05	11 <sub>d11</sub>	12,9	15	3	65	35 <sup>H10</sup>	50	7
125 - 200	F 07	17 <sub>d11</sub>	19,7	18	3	90	55 <sup>H10</sup>	70	9

Flange connection ISO 5211



Technology for the Future.  
GERMAN QUALITY VALVES